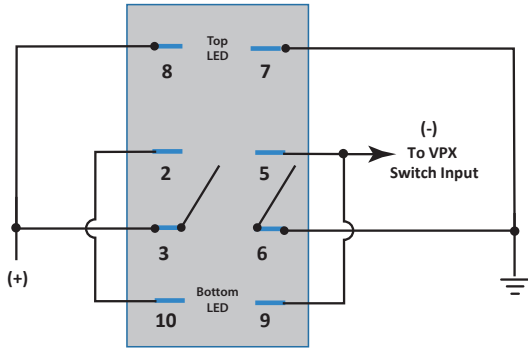


LASER ETCHED SWITCH DIAGRAM

ON-OFF

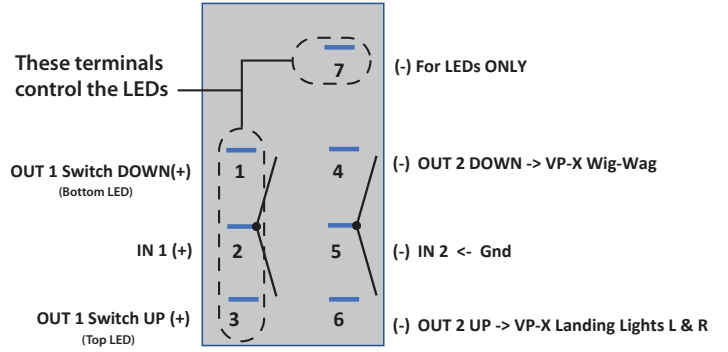
For use with VPX



LASER ETCHED SWITCH DIAGRAM

ON-OFF-ON

For use with VPX



PITOT HEAT ON-OFF

LEDs ON w/VPX

LANDING LIGHTS ON-OFF

LEDs ON w/VPX

TAXI LIGHTS ON-OFF

LEDs ON w/VPX

NAV LIGHTS ON-OFF

LEDs ON w/VPX

STROBE LIGHTS ON-OFF

LEDs ON w/VPX

ACCESSORIES MASTER ON-OFF

LEDs ON w/Access. Bus

